

1 COMFORT 15-14 B PM

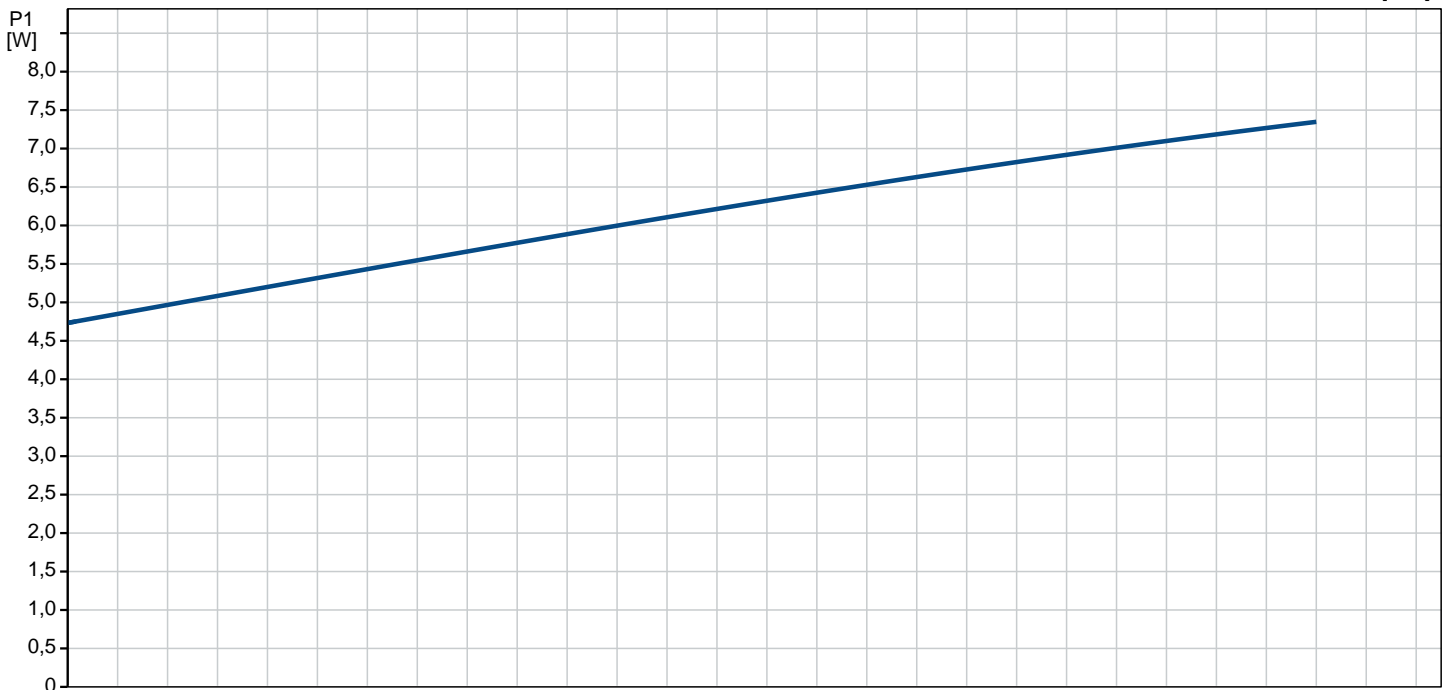
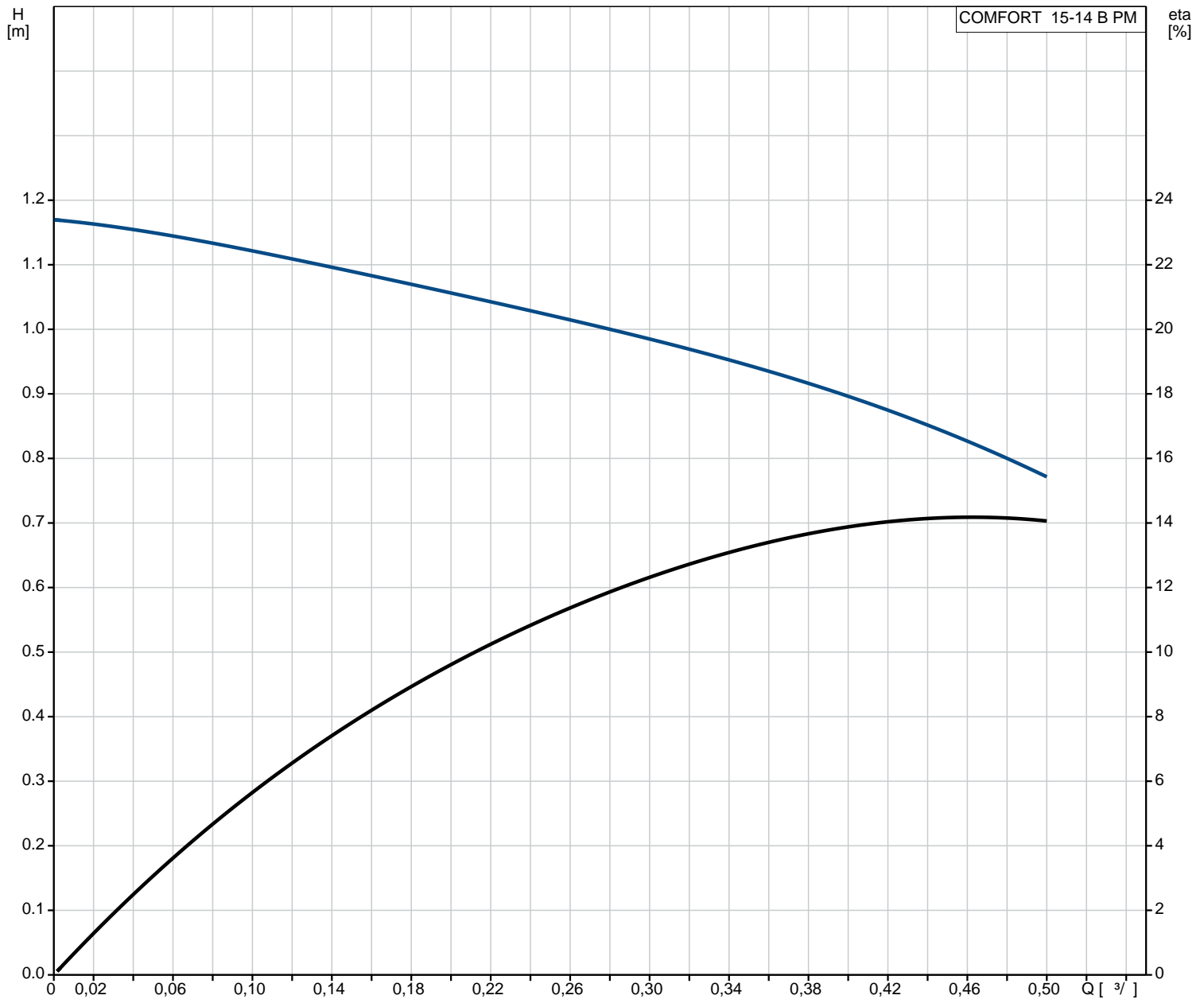


: [97916771](#)

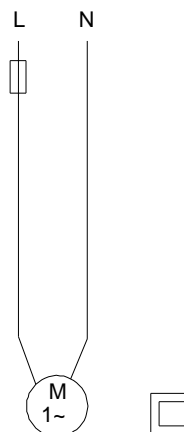
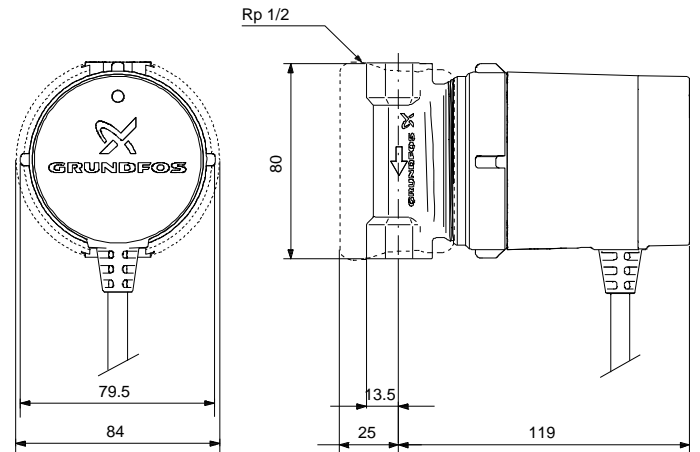
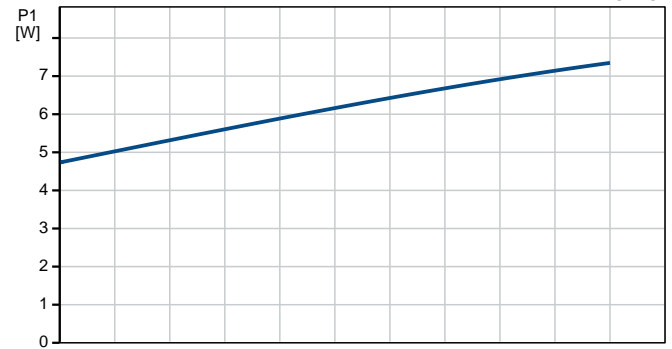
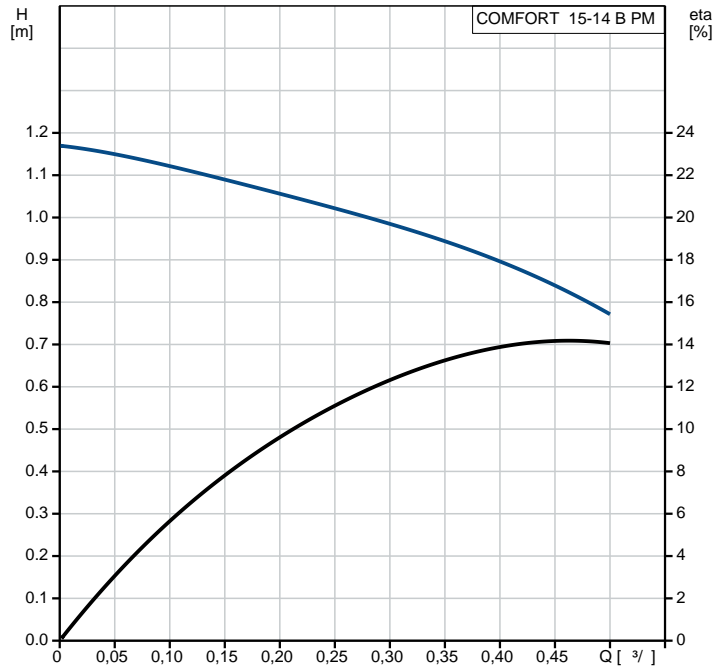
The Grundfos Comfort B PM and BX PM pumps are designed for recirculation of domestic hot water in single- and two-family houses securing hot water instantly to all faucets. The pumps have a corrosion-resistant pump housing suitable for drinking water and are powered by a single-phase, high-efficiency ECM with permanent-magnet rotor. COMFORT B PM and BX PM meet homeowner requirements for continuous operation.

COMFORT BX PM has a built-in isolating valve and a non-return valve (fitting). This ensures that maintenance can be carried out without draining the system. The non-return valve also prevents reversed flow during operation.

97916771 COMFORT 15-14 B PM



		COMFORT 15-14 B PM
No.:		97916771
EAN		5710626363766
No:		1
		14 dm
		95
		CE,VDE,EAC,WEEE
		Brass
		10 bar
		Rp
		1/2
		80 mm
		2 .. 95 °C
		60 °C
		983.2 kg/m³
		7 W
		50 / 60 Hz
		1 x 230 V
3:		0.07 A
		0.6 µF
	(IEC 34-5):	IP44
	(IEC 85):	F
		ELECT.
		0.94 kg
		1.04 kg
		0.003 m³
VVS		380634004
RSK		5803089
LVI		4615601
		DE
		84137030



97916771 COMFORT 15-14 B PM

