

Receiver

 Company
 Reference
 Address
 Phone
 Fax
 E-mail

Item n° : 60185492
Customer pos. no.:
Model : EVOSTA2 40-70/180

Pump data

 Pressure rating : 1000 kPa
 Min. fluid temperature : -10 °C
 Max. fluid temperature : 110 °C
 EEI : ≤ 0,18

Minimum suction head :

 Temperature : °C 90
 Minimum suction head : m 10

Requested data

 Flow :
 Head :
 Fluid (%) :
 Fluid Temperature : 20 °C
 Density : 998.3 kg/m³
 Kinematic viscosity : 1.005 mm²/s
 Vapor pressure : 2.34 kPa

Hydraulic data (duty point)

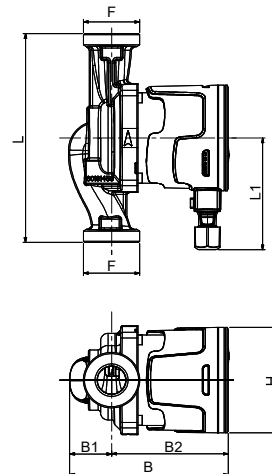
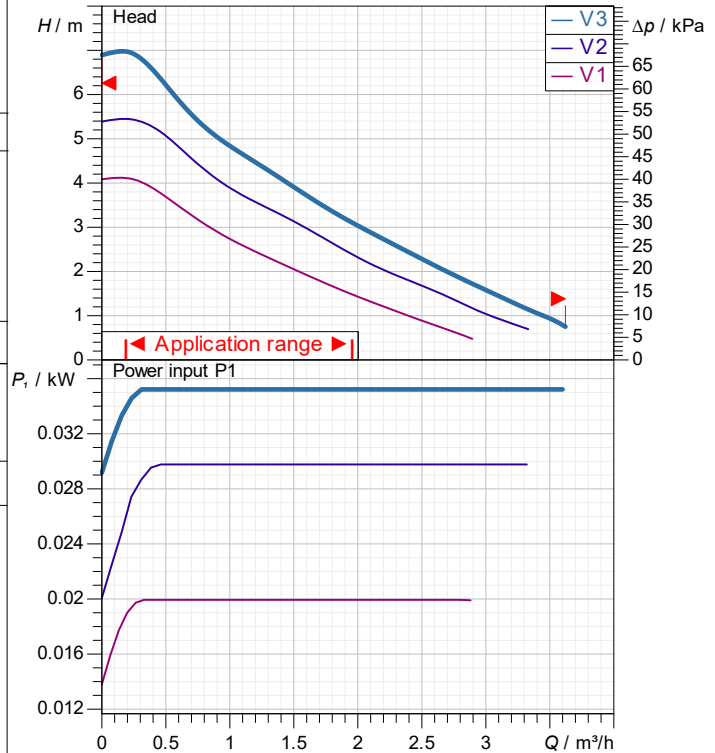
 Flow :
 Head :

Materials

 Pump body : Cast iron with cataphoresis
 Impeller : Ultrason
 Shaft : Alumina
 Rotor : Fe
 Motor casing : Stainless Steel (AISI 304)
 Stator jacket : AISI 316
 Air vent plug : Brass

Motor data

 Motor brand : DAB
 Max. Power input P1 : 0.035 kW
 Rated voltage : 1~ 230 V 50 Hz
 Nominal current : 0.32 A
 Degree of protection : IP X5

Curve tolerance according to ISO 9906

Dimensions in mm

B	134.6	L1	96				
B1	35.5						
B2	99.1						
F	1" 1/2						
H	91						
L	180						

Weight : 2.19 kg

Pump connection

 Suction side : 1" 1/2 G
 Discharge side : 1" 1/2 G



PERFORMANCE CURVES

2026-05-19

Page 2 / 3

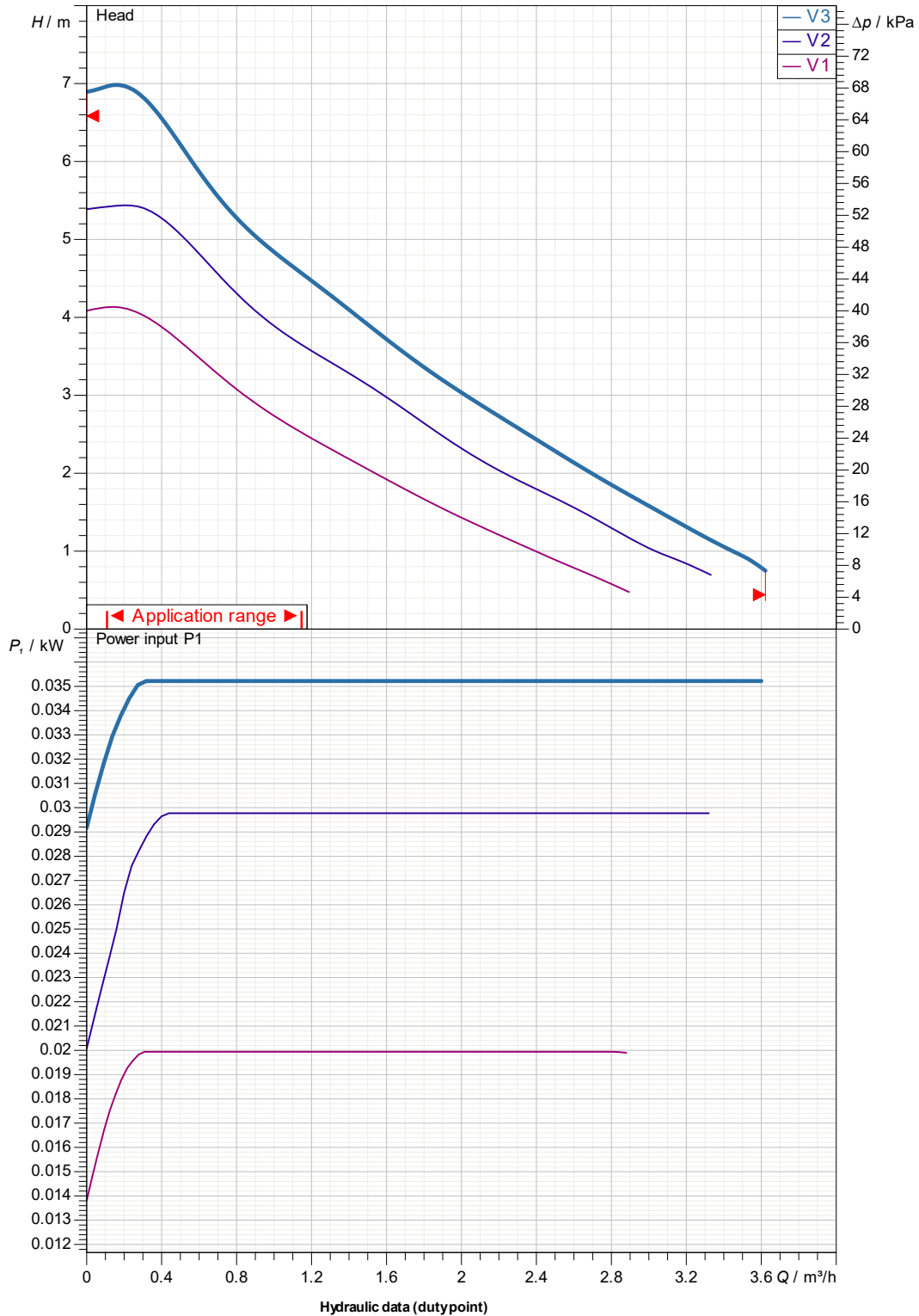
DAB PUMPS S.p.A.
Via Marco Polo, 14 - 35035 Mestrino (PD), Italy
Tel. +39 049 5125000 - Fax +39 049 5125950
www.dabpumps.com

Receiver

Company
Reference
Address
Phone
Fax
E-mail

EVOSTA2 40-70/180

Curve tolerance according to ISO 9906



Suction side :
1" 1/2 G
1000 kPa

Discharge side :
1" 1/2 G
1000 kPa

Flow :

Head :

Rated speed :
2900 1/min

Project

Project ID

Created by

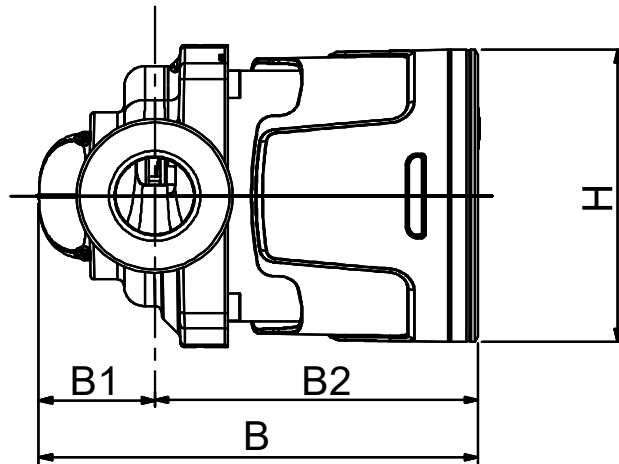
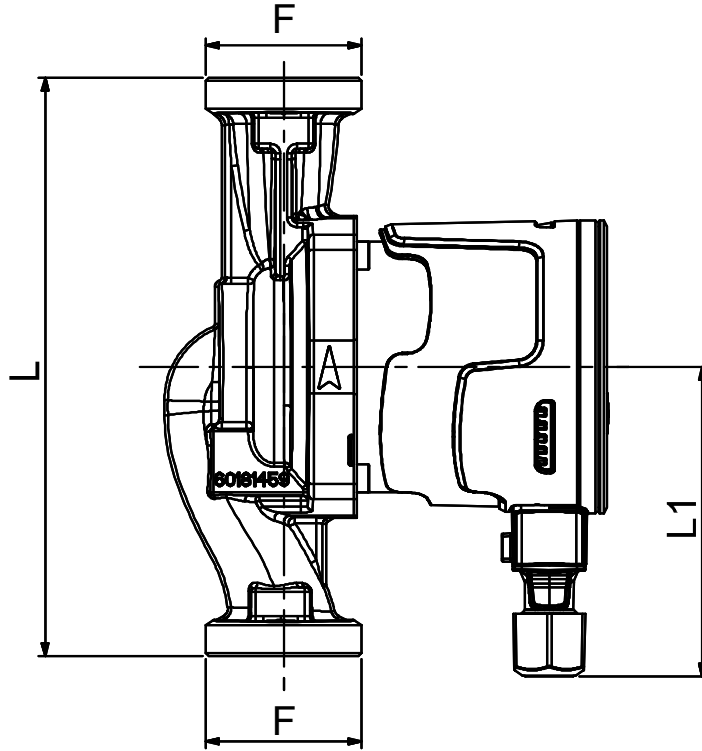
Created on

2026-05-19

Receiver

Company
Reference
Address
Phone
Fax
E-mail

EVOSTA2 40-70/180



Dimensions in mm

Pump connection

1	B	134.6							
2	B1	35.5							Suction
3	B2	99.1							1" 1/2 G
4	F	1"1/2							1000 kPa
5	H	91							Discharge
6	L	180							1" 1/2 G
7	L1	96							1000 kPa
8									
9									
10									
11									

Project	Project ID	Created by	Created on
			2026-05-19